



RETROD66 TECHNICAL SPECIFICATION

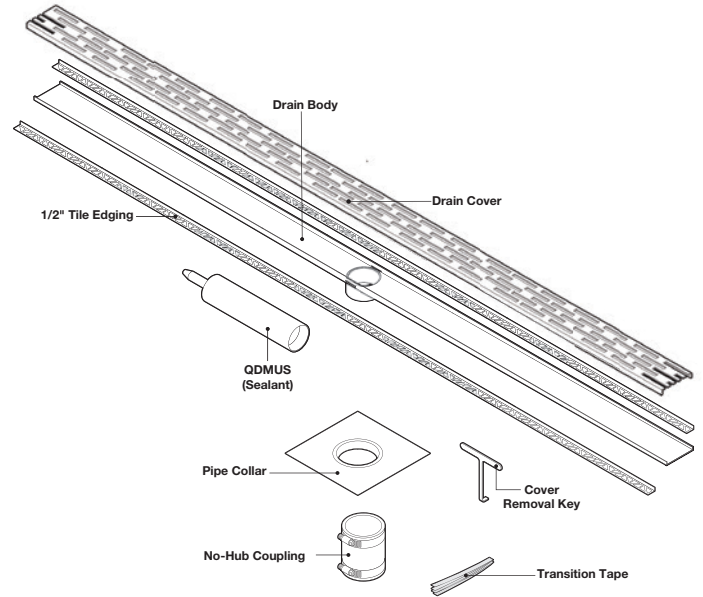
| | |
|----------------------|------------------|
| Job Name _____ | Item # _____ |
| Location _____ | |
| Engineer _____ | Contractor _____ |
| PO # _____ | Tag _____ |
| Representative _____ | |

DESCRIPTION

- No recess in the subfloor required
- Fits within the thickness of 3/8" tile + thin set
- Most important special feature is the internally sloped trough. This feature is a key to no stagnant water sitting in the trough any time and eliminates hard water build up
- Use with any kind of topical waterproofing: topical sheet waterproofing (QTS, Kerdi™, Noble TS™), topical liquid waterproofing (AquaDefense™, RedGard™, Hydro Ban™, Ardex 8+9™).

DRAIN ASSEMBLY INCLUDES

- Drain Body (1)
- Tile Edging (2)
- Drain Cover (1)
- Pipe Collar (1)
- No-hub Coupling (1)
- QDMUS (sealant)
- Transition Tape (1)
- Other:
Cover Removal Key (2)



APPROVALS AND LISTINGS

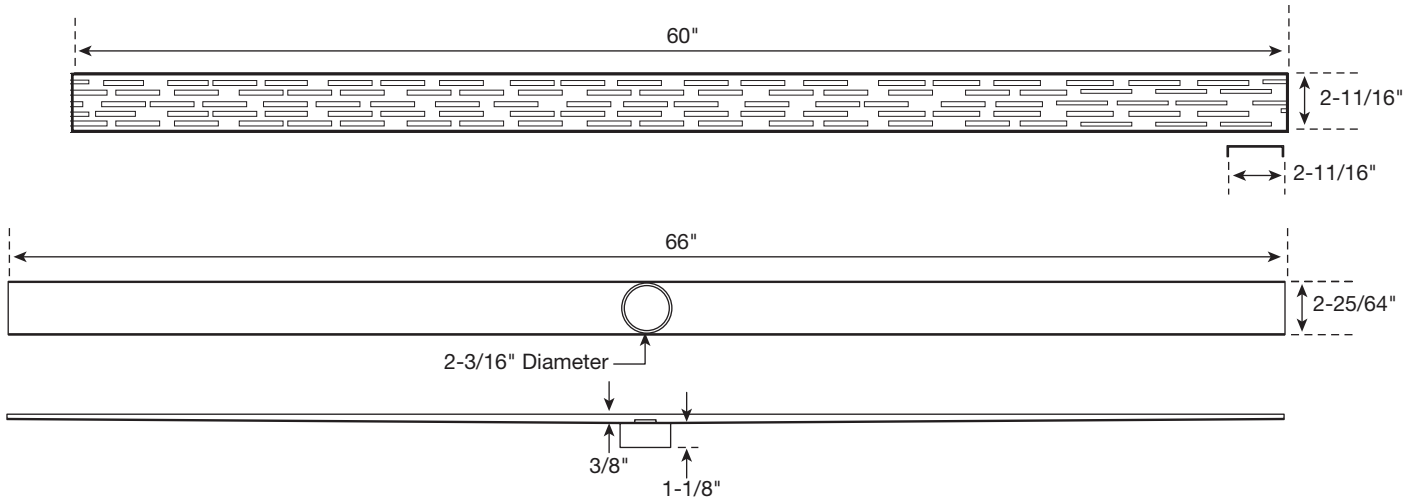
Before installing QuickDrain USA system, check with your local building department/plumbing inspector to ensure compliance with the local building codes. QuickDrain USA LLC is not responsible for any conflicts with local building codes. QuickDrain USA LLC is not responsible for improper installation of any part of the assembly or the waterproofing membrane. Dimensions are subject to manufacturer's tolerance and can change without notice.





RETROD66 TECHNICAL SPECIFICATION

DIMENSIONS



INSTALLATION NOTES

- Cutaway illustration (shown) is liquid waterproofing with slope panel and concrete subfloor.

For different types of installations, please see other cutaway illustrations at www.quickdrainusa.com

- | | |
|--|---------------------------------------|
| 1 Stud Wall | 13 Wall Tile and Grout |
| 2 Backer Board | 14 Drain Cover |
| 3 Thin-Set (for wall tile) | 15 Transition Tape (under drain body) |
| 4 Reinforcing Fabric | 16 Thin-Set (under drain body) |
| 5 First Layer of Liquid Waterproofing | 17 Modified Urethane Sealant |
| 6 Second Layer of Liquid Waterproofing | 18 Tile Edging |
| 7 Slope | 19 Modified Urethane Sealant |
| 8 Pipe Collar | 20 No-Hub Coupling |
| 9 Thin-Set | 21 Pipe Extension |
| 10 Weep Holes | |
| 11 Concrete Subfloor | |
| 12 Drain Body | |

