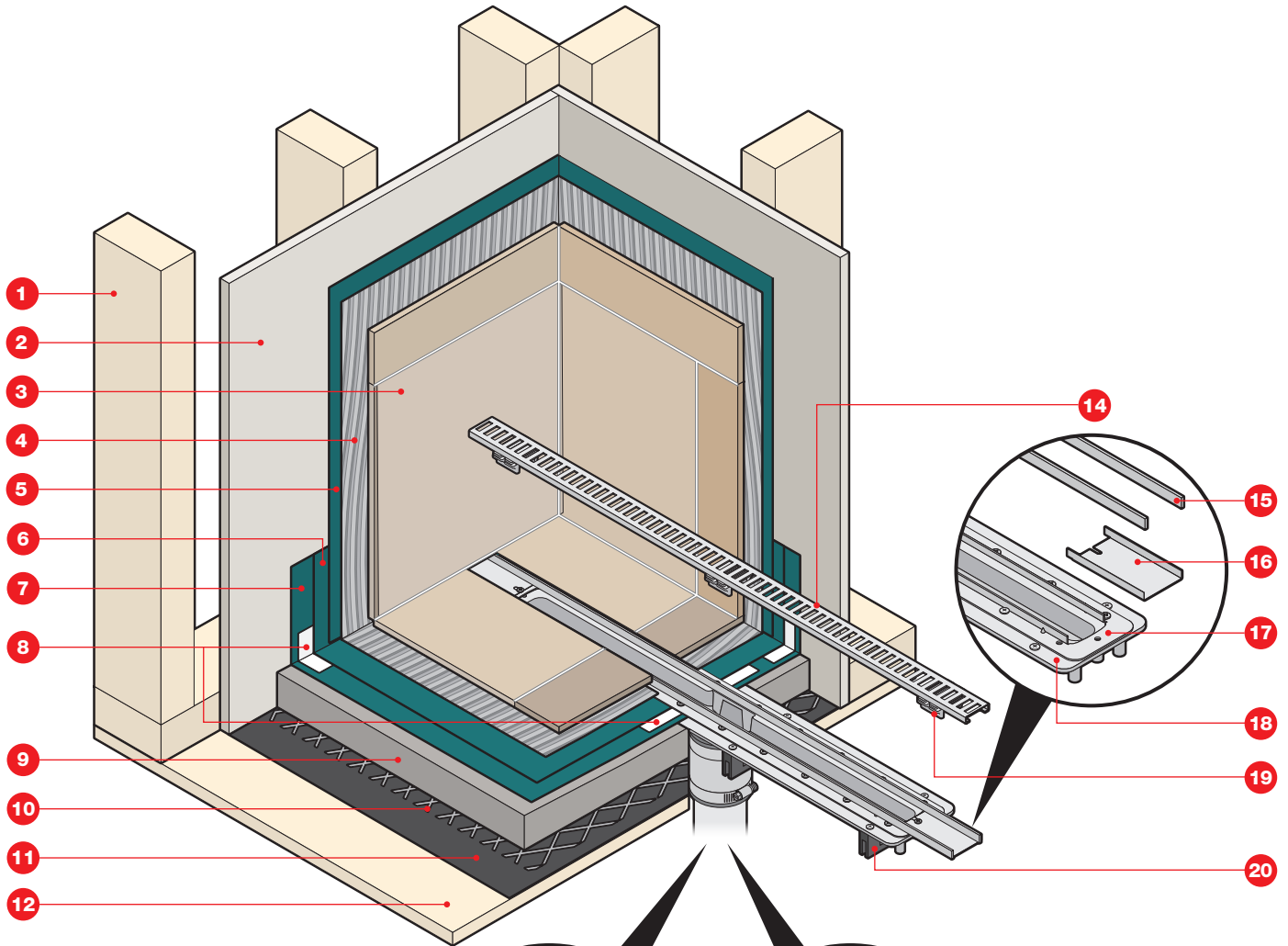


**Down (Vertical) Waste Outlet  
Drain Installation Using ShowerLine Pan  
with Liquid Waterproofing**

**SHOWERLINE**drain

by **QUICKDRAIN USA**



- 1 Stud Wall
- 2 Backer Board
- 3 Wall tile and Grout
- 4 Thin-set (for wall tile)
- 5 Liquid Waterproofing
- 6 Second Layer of Shower Pan Liquid Waterproofing
- 7 First Layer of Shower Pan Liquid Waterproofing
- 8 Reinforcing Fabric
- 9 Concrete Slope
- 10 Metal Lath (optional for wood subfloors only)
- 11 Tar Paper (optional for wood subfloors only)
- 12 Sub-floor
- 13a PVC to PVC connection
- 13b Shielded No-Hub Coupling

- 14 Drain Cover
- 15 Cover Chanel
- 16 Trough Extension
- 17 Clamping Collar
- 18 Drain Body
- 19 Height Adjustable Spacer
- 20 Leveling Bracket