



SP1- ONE INCH SPACER TECHNICAL SPECIFICATION

Job Name _____	Item # _____
Location _____	
Engineer _____	Contractor _____
PO # _____	Tag _____
Representative _____	

DESCRIPTION

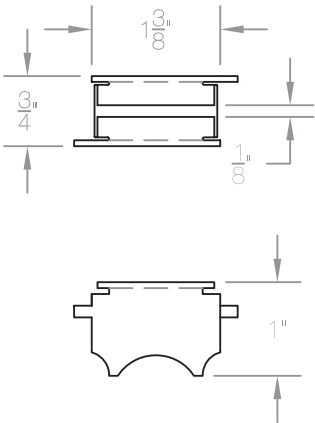
- Spacers are used to set the correct distance between the drain flange and the top of the drain cover. This same distance as from the waterproofing to top of the finished flooring material
- 18 Gauge 304 Stainless Steel
- Total height of spacer and cover from top of drain flange is 1"
- Spacers are required

APPROVALS AND LISTINGS

Before installing QuickDrain USA system, check with your local building department/plumbing inspector to ensure compliance with the local building codes. QuickDrain USA LLC is not responsible for any conflicts with local building codes. QuickDrain USA LLC is not responsible for improper installation of any part of the assembly or the waterproofing membrane. Dimensions are subject to manufacturer's tolerance and can change without notice.



SPACER DETAIL



DRAIN ASSEMBLY SECTION

