



LVBSL LONG LEVELING BRACKET TECHNICAL SPECIFICATION

| | |
|----------------------|------------------|
| Job Name _____ | Item # _____ |
| Location _____ | |
| Engineer _____ | Contractor _____ |
| PO # _____ | Tag _____ |
| Representative _____ | |

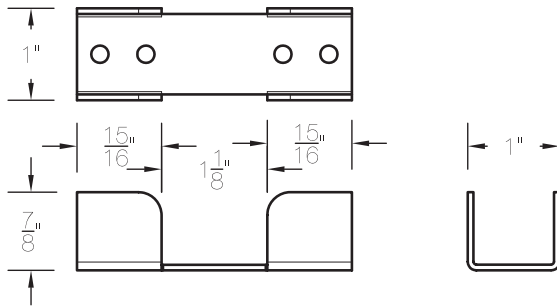
DESCRIPTION

- Made of 16 gauge cold rolled steel.
- Placed on either end of drain body with screws to hold drain level - laterally and bilaterally - during installation process.
- Two piece system with wall mounted bracket and drain body bracket.

INSTALLATION NOTES

- Install product according to the installation guide.

DRAIN BODY BRACKET



WALL MOUNTED BRACKET

