



ILCSS STRAINER CONNECTOR TECHNICAL SPECIFICATION

Job Name _____	Item # _____
Location _____	
Engineer _____	Contractor _____
PO # _____	Tag _____
Representative _____	

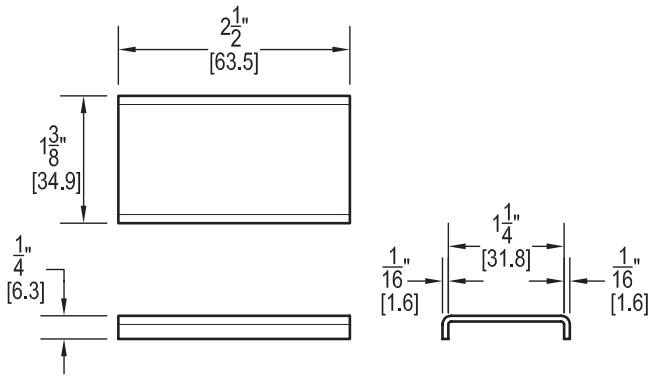
DESCRIPTION

- Constructed from 18 gauge 304 stainless steel.
- Connects multiple strainers in a line.
- Works with all strainer types except the tile in strainer.
- Can be used with or without the strainer extension.
- Can be cut down to accommodate exact finish openings.

INSTALLATION NOTES

- Install product according to the installation guide.

IN-LINE STRAINER CONNECTOR



STRAINER EXTENSION

