



CRCSS STRAINER CORNER CONNECTOR TECHNICAL SPECIFICATION

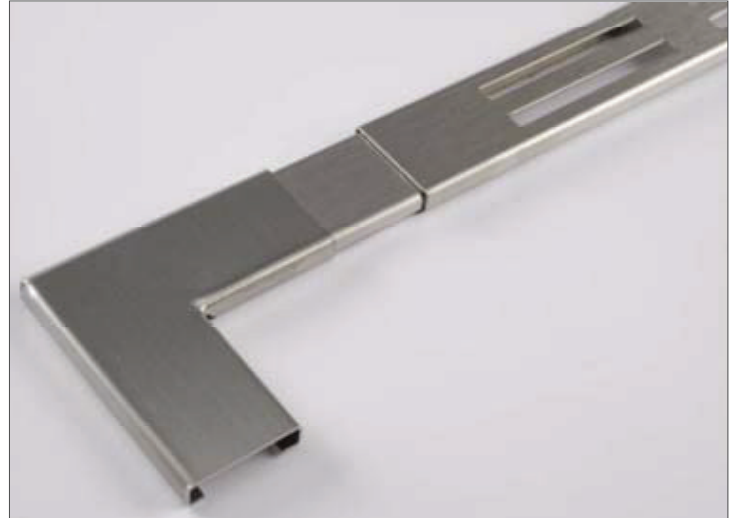
Job Name _____	Item # _____
Location _____	
Engineer _____	Contractor _____
PO # _____	Tag _____
Representative _____	

DESCRIPTION

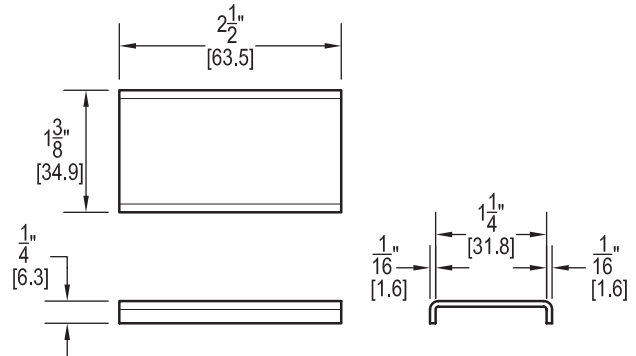
- Made of 18 gauge 304 stainless steel.
- Connects two strainers at a right angle.
- Comes with two in-line strainer connectors to make connections and one 90° corner strainer extension.
- Works with all strainer types except the tile-in strainer.

INSTALLATION NOTES

- Install product according to the installation guide.



IN-LINE STRAINER CONNECTOR



90° CORNER STRAINER EXTENSION

