



45 DEGREE STRAINER CORNER CONNECTOR TECHNICAL SPECIFICATION

Job Name _____	Item # _____
Location _____	
Engineer _____	Contractor _____
PO # _____	Tag _____
Representative _____	

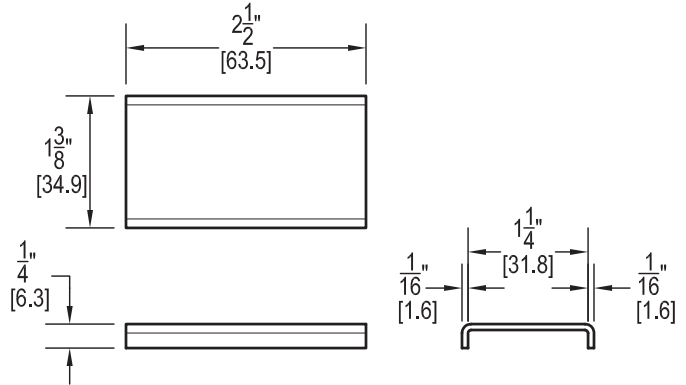
DESCRIPTION

- Made of 18 gauge 304 stainless steel.
- Connects two strainers at a right angle.
- Comes with two in-line strainer connectors to make connections and one 45° corner strainer extension.
- Works with all strainer types except the tile-in strainer.

INSTALLATION NOTES

- Install product according to the installation guide.

IN-LINE STRAINER CONNECTOR



45° CORNER STRAINER EXTENSION

