

**SLPAN32, SLPAN40,  
SLPAN48, SLPAN56,  
SLPAN64, SLPAN72**

# SHOWERLINE<sup>drain</sup>

by **QUICKDRAIN USA**

**Features**

ShowerLine pan-Tileable shower receptor for Linear Drain –is made of extruded rigid PET (polyethylene terephthalate) plastic foam. It is strong yet lightweight, non-reactive, economical, and shatterproof.

- Chemically stable, UV resistant and suitable for both interior and exterior use
- Can be used with both sheet and liquid topical waterproofing
- Speed and consistency of installation
- Eliminates the need for traditional mud bed installations
- Lightweight, durable with high compressive strength 145PSI
- Interlocking design, can be quickly and easily modified to size and shape of on site conditions
- Meets IAPMO PS-106-2013
- 100% post Consumer recycled and fully recyclable.



**Uses**

- Interior and exterior use
- Industrial, commercial and residential showers
- Gang showers
- Pet Showers

**Suitable Substrates ( Interior Only)**

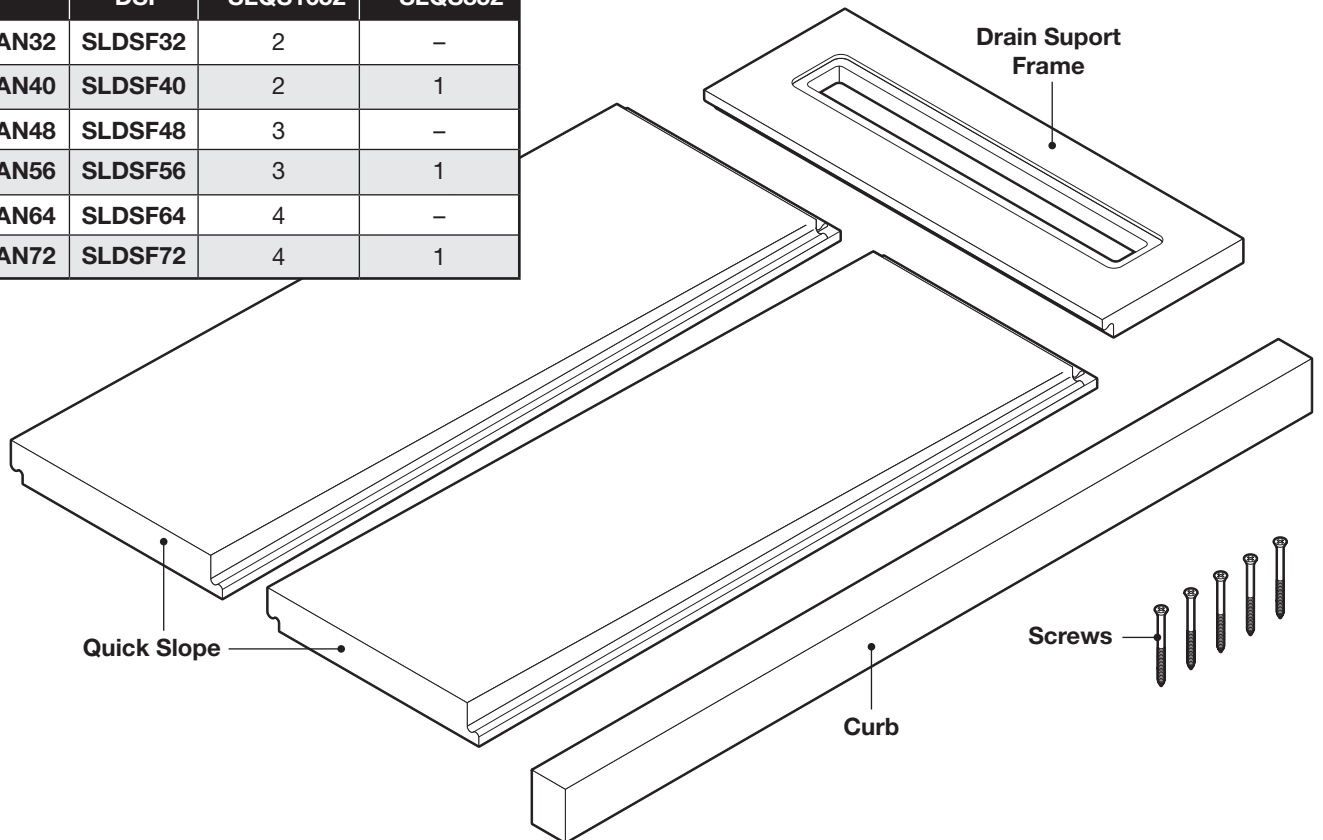
- Concrete
- Exterior Glue Plywood
- Cement backer board\*\*
- OSB Or Avantech

*\*\* Consult cement backer board manufacturer for specific installation recommendations*

**ShowerLine pan includes**

- Drain Support Frame\*
- Quick Slope (SLQS1652\*\*, SLQS852\*\*\*)
- Curb (SL Curb)
- Screws (5)

	*DSF	**SLQS1652	***SLQS852
SLPAN32	SLDSF32	2	-
SLPAN40	SLDSF40	2	1
SLPAN48	SLDSF48	3	-
SLPAN56	SLDSF56	3	1
SLPAN64	SLDSF64	4	-
SLPAN72	SLDSF72	4	1

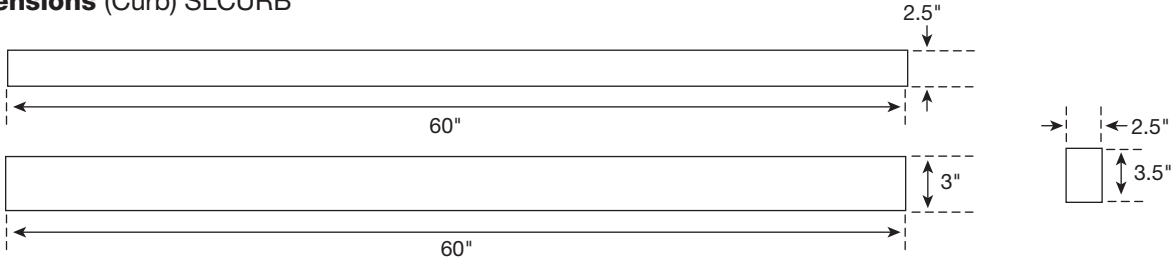


**SLPAN32, SLPAN40,  
SLPAN48, SLPAN56,  
SLPAN64, SLPAN72**

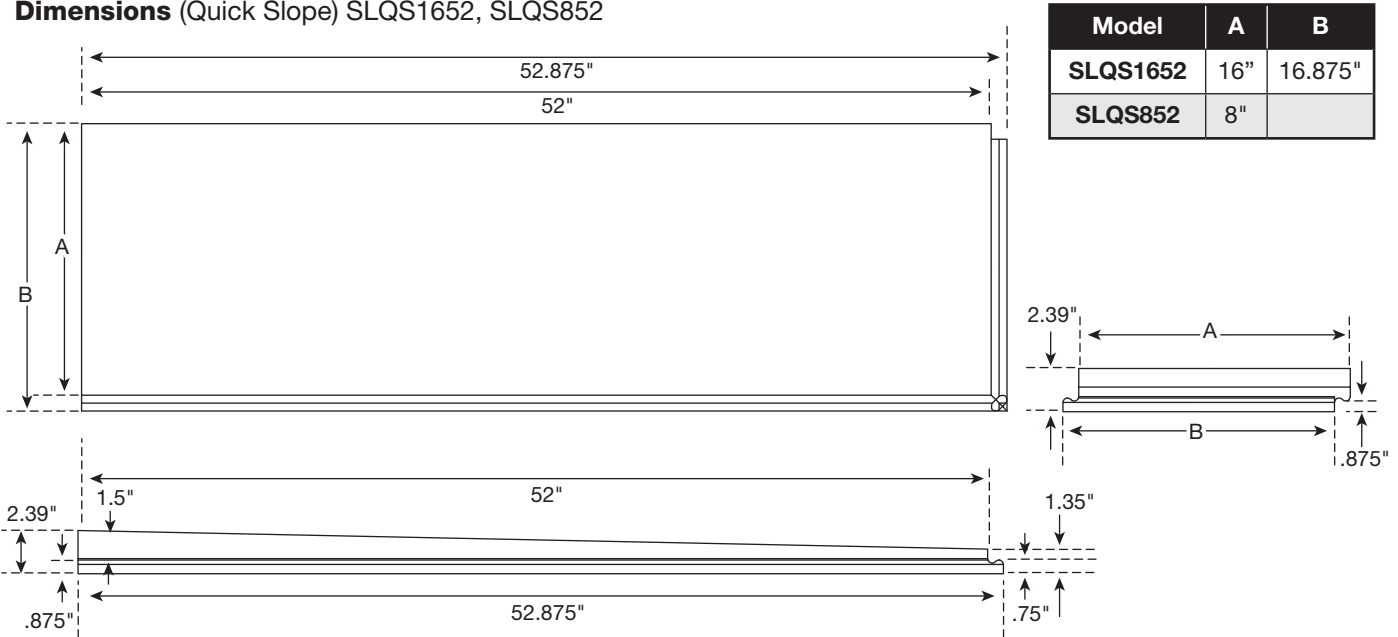
# SHOWERLINE<sup>®</sup> drain

by **QUICKDRAIN USA**

## Dimensions (Curb) SLCURB



## Dimensions (Quick Slope) SLQS1652, SLQS852



## Dimensions (Drain Support Frame)

